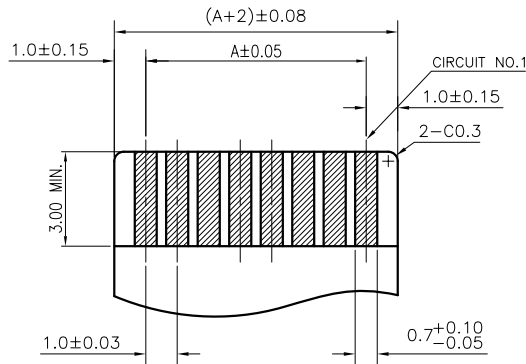


RECOMMENDED PCB LAYOUT  
GENERAL TOLERANCE ±0.05



RECOMMENDED APPLICABLE FPC/FFC LAYOUT  
FPC/FFC THICKNESS 0.30±0.03mm

NOTES:

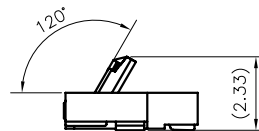
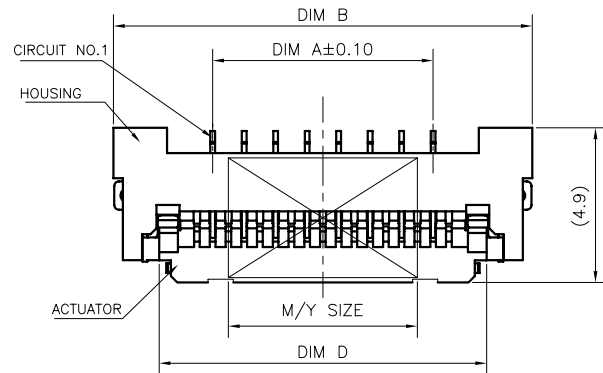
- MATERIAL:
  - HOUSING: THERMOPLASTIC, HIGH TEMP.,UL94V-0
  - ACTUATOR:THERMOPLASTIC, HIGH TEMP.,UL94V-0
  - CONTACT: COPPER ALLOY
  - FITTING NAIL: COPPER ALLOY
- FINISH:
  - CONTACT: 50u" MIN. NICKEL UNDERPLATING OVERALL.  
L:100u" MIN. TIN PLATING  
1:GOLD FLASH PLATING  
N:100~200u" MIN. MATTE TIN PLATING
  - FITTING NAIL: 50u" MIN. NICKEL UNDERPLATING OVERALL.  
L:100u" MIN. TIN PLATING  
N:100~200u" MIN. MATTE TIN PLATING
- REFLOW SOLDER CAPABLE TO 260°C  
PER ACES SPEC.
- SPEC. PLS. REFER TO PS-50509-xxxx-xxx
- PACKAGE PLS. REFER TO 88196-XXXX-TRP.
- PART NUMBER

51571-XXX X X-XXX

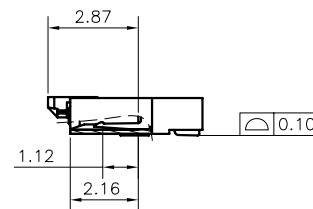
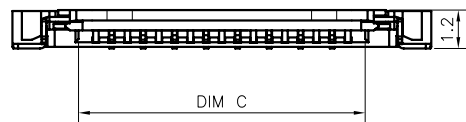
|      |     |               |                |
|------|-----|---------------|----------------|
| CKTS | XXX | HOUSING COLOR | ACTUATOR COLOR |
|      | 001 | BLACK         | NATURAL        |

- PACKING
- 0:TAPE&REEL
  - 1:TUBE
  - 4:TAPE & REELWITH MYLAR
  - 5:TUBE WITH MYLAR

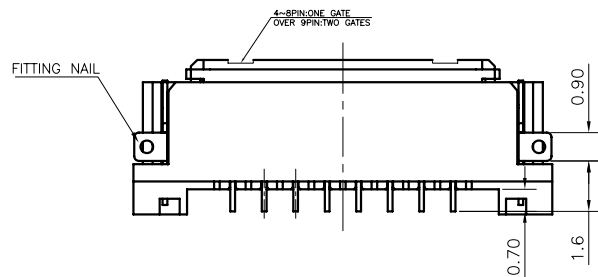
- PLATING
- 1:GOLD FLASH PLATING
  - N:MATTE TIN PLATING



ACTUATOR OPEN STATE

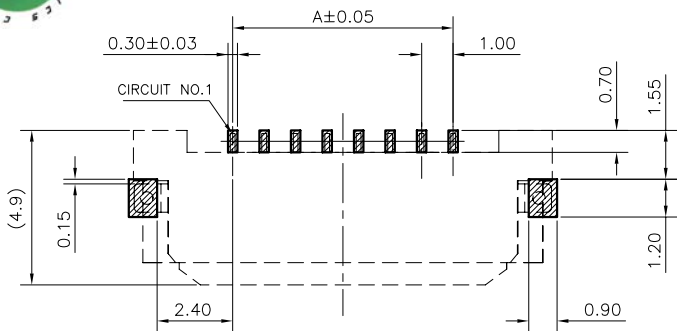


FFC INSERT DEPTH

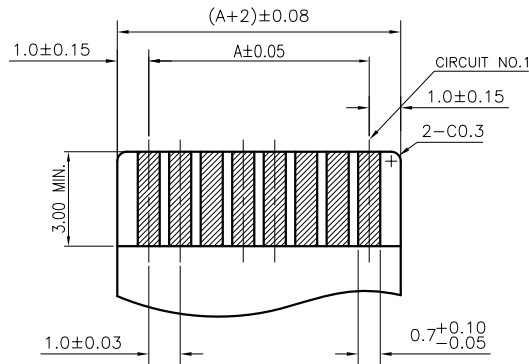


| CKTS | DMA  | DMB  | DMC  | DMD  | M/Y SIZE |
|------|------|------|------|------|----------|
| 4    | 3.00 | 9.30 | 5.05 | 6.40 | 6.0      |

|  |  |   |
|--|--|---|
| 一般公差<br>TOLERANCES<br>X ±0.50 XX ±0.15<br>X ±0.25 XXX ±0.10<br>ANGLES ±2°                                  | 宏致電子股份有限公司<br>Aces Electronics Co.,Ltd.  |   |
| 檢驗尺寸標示<br>SYMBOLS ⊕ ⊗ INDICATE CLASSIFICATION DIMENSION<br>⊕ MARK IS CRITICAL DIM.<br>⊗ MARK IS MAJOR DIM. | 品名 (TITLE)<br>1.0mm EASY ON FPC CONN SMT R/A B/C TYPE<br>圖號 (DWG NO.)<br>51571-XXXXX-XXX | 製圖 (DR)<br>14'/10/14 JUGG<br>審核 (CHKD)<br>DAVID<br>核准 (APPD)<br>FRANK |
| 表面處理 (FINISH)  | 比例 (SCALE)<br>3:1  | 單位 (UNITS)<br>mm  |
|  |  | 張數 (SHEET)<br>1 OF 2  |
|  |  | SIZE<br>A4  |
|  |  | REV<br>A  |



RECOMMENDED PCB LAYOUT  
GENERAL TOLERANCE ±0.05



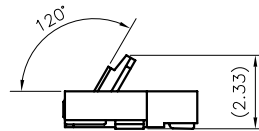
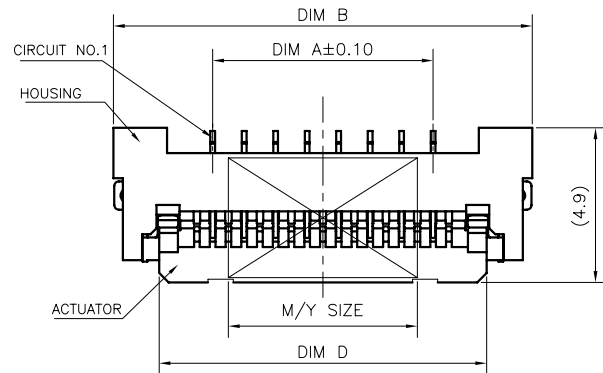
RECOMMENDED APPLICABLE FPC/FFC LAYOUT  
FPC/FFC THICKNESS 0.30±0.03mm

NOTES:

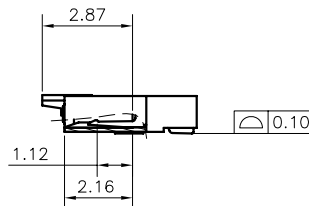
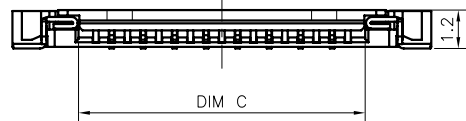
- MATERIAL:
  - HOUSING: THERMOPLASTIC, HIGH TEMP.,UL94V-0
  - ACTUATOR:THERMOPLASTIC, HIGH TEMP.,UL94V-0
  - CONTACT: COPPER ALLOY
  - FITTING NAIL: COPPER ALLOY
- FINISH:
  - CONTACT: 50u" MIN. NICKEL UNDERPLATING OVERALL.  
L:100u" MIN. TIN PLATING  
1:GOLD FLASH PLATING  
N:100~200u" MIN. MATTE TIN PLATING
  - FITTING NAIL: 50u" MIN. NICKEL UNDERPLATING OVERALL.  
L:100u" MIN. TIN PLATING  
N:100~200u" MIN. MATTE TIN PLATING
- REFLOW SOLDER CAPABLE TO 260°C  
PER ACES SPEC.
- SPEC. PLS. REFER TO PS-50509-xxxx-xxx
- PACKAGE PLS. REFER TO 88196-XXXX-TRP.
- PART NUMBER

|           |   |       |               |                |
|-----------|---|-------|---------------|----------------|
| 51571-XXX | X | X-XXX |               |                |
| CKTS      |   |       | HOUSING COLOR | ACTUATOR COLOR |
|           |   |       | 001 BLACK     | NATURAL        |

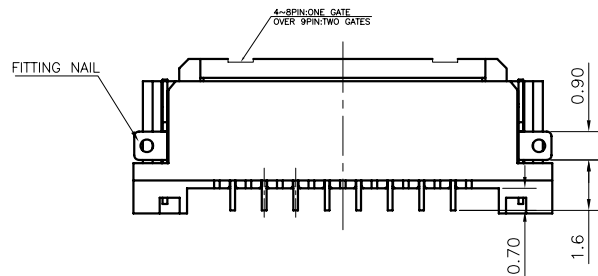
- PACKING
- 0:TAPE&REEL
  - 1:TUBE
  - 4:TAPE & REELWITH MYLAR
  - 5:TUBE WITH MYLAR
- PLATING
- 1:GOLD FLASH PLATING
  - N:MATTE TIN PLATING



ACTUATOR OPEN STATE



FFC INSERT DEPTH



| CKTS | DIM A | DIM B | DIM C | DIM D | M/Y SIZE |
|------|-------|-------|-------|-------|----------|
| 5    | 4.00  | 10.30 | 6.10  | 7.40  | 6.0      |
| 6    | 5.00  | 11.30 | 7.10  | 8.40  |          |
| 7    | 6.00  | 12.30 | 8.10  | 9.40  |          |
| 8    | 7.00  | 13.30 | 9.10  | 10.40 |          |
| 9    | 8.00  | 14.30 | 10.10 | 11.40 |          |
| 10   | 9.00  | 15.30 | 11.10 | 12.40 |          |
| 11   | 10.00 | 16.30 | 12.10 | 13.40 |          |
| 12   | 11.00 | 17.30 | 13.10 | 14.40 |          |
| 13   | 12.00 | 18.30 | 14.10 | 15.40 |          |
| 14   | 13.00 | 19.30 | 15.10 | 16.40 |          |
| 15   | 14.00 | 20.30 | 16.10 | 17.40 |          |
| 16   | 15.00 | 21.30 | 17.10 | 18.40 |          |
| 17   | 16.00 | 22.30 | 18.10 | 19.40 |          |
| 18   | 17.00 | 23.30 | 19.10 | 20.40 |          |
| 19   | 18.00 | 24.30 | 20.10 | 21.40 |          |
| 20   | 19.00 | 25.30 | 21.10 | 22.40 |          |

|  |  |   |
|--|--|---|
| 一般公差<br><b>TOLEANCES</b><br>X ±0.50 XX ±0.15<br>X ±0.25 XXX ±0.10<br>ANGLES ±2°                          | <b>宏致電子股份有限公司</b><br><b>Aces Electronics Co.,Ltd.</b>    |   |
| 檢驗尺寸標示<br>SYMBOLS ⊕ INDICATE CLASSIFICATION DIMENSION<br>⊕ MARK IS CRITICAL DIM.<br>⊕ MARK IS MAJOR DIM. | 品名 (TITLE)<br>1.0mm EASY ON FPC CONN<br>SMT R/A B/C TYPE | 製圖 (DR)<br>14'/10/14 JUGG<br>審核 (CHKD)<br>DAVID<br>核准 (APPD)<br>FRANK |
| 圖號 (DWG NO.)<br><b>51571-XXXXX-XXX</b>   | 比例 (SCALE)<br>3:1  | 單位 (UNITS)<br>mm  |
| 表面處理 (FINISH)  | 張數 (SHEET)<br>2 OF 2                                     | SIZE<br>A4  |